



International Journal of Home Science

ISSN: 2395-7476
IJHS 2019; 5(1): 22-25
© 2019 IJHS
www.homesciencejournal.com
Received: 06-11-2018
Accepted: 09-12-2018

Dipika Sachan
Research Scholar,
C.S. Azad University of
Agriculture & Technology,
Kanpur, Uttar Pradesh, India

Dr. Aradhana Kushwaha
Ph.D. Student, C.S. Azad
University of Agriculture &
Technology, Kanpur,
Uttar Pradesh, India

Vikas Verma
M.Sc. Student, C.S. Azad
University of Agriculture &
Technology, Kanpur,
Uttar Pradesh, India

Dr. Neelma Kunwar
Associate, Professor, C.S. Azad
University of Agriculture &
Technology, Kanpur,
Uttar Pradesh, India

Cheap and durable design of types of toilet designed for rural women

Dipika Sachan, Dr. Aradhana Kushwaha, Vikas Verma and Dr. Neelma Kunwar

Abstract

Uttar Pradesh was chosen as locale of the study. This was done with the intension that U.P. The study was conducted in Kanpur district. To blocks such as Kalyanpur and Chaubepur were selected. Open defecation is the human practice of defecating outside rather than into a toilet. People may choose fields, bushes, forests, ditches, streets, canals or other open spaces for defecation. They do so because either they do not have a toilet at home or due to traditional cultural practices. The practice is common where sanitation infrastructure and services are not available. Even if toilets are available, behavior change efforts may still be needed to promote the use of toilets. The term "Open defecation free" is used to describe communities that have shifted to using a toilet instead of open defecation.

Keywords: Constraints, open defecation, practice, toilet

Introduction

The government first identifies an area that needs its attention when it comes to building toilets. An area is identified in terms of block, city, village or Gram Panchayat, then the data is taken out by the government which includes facts and figures about the community in terms of number of families located there, how many people have toilets at their homes, how many people do not have toilets and how many people practice open defecation. Once this basic data is there with the government, and then begins the process of making that area open defecation free by constructing toilets for every individual. In terms of finances, the central government allocates funds under Swachh Bharat Abhiyan to each of the state to carry the process of constructing toilets and make an area open defecation free. The allocation of amount depends on few things like size of population, population living in rural and urban areas, the total number of people without the basic facility, and toilets in that particular state, to name a few.

Result and discussion

During the collection of data, help from V.D.O., Lekhpals and Gram Pradhans were also obtained. The secondary data whenever needed was obtained from the records of the district and block headquarters including Vikas Bhawan Office situated at Rawatpur in Kanpur Nagar. Cheap and durable Design of Types of Toilet Designed.

1. Previous Time Pit Toilet and Pit Latrine
2. Simple Indian Toilet
3. Dry Toilet
4. Diversion Toilet
5. Flying Toilet
6. Chemical Toilet
7. Public Toilet
8. High Tech Toilet
9. Floating Toilet
10. Chamber Pots Toilet
11. Urinals for Boys
12. Squat Toilets for Girls

Correspondence

Dipika Sachan
Research Scholar,
C.S. Azad University of
Agriculture & Technology,
Kanpur, Uttar Pradesh, India



Fig 1: Previous Time Pit Toilet and Pit Latrine

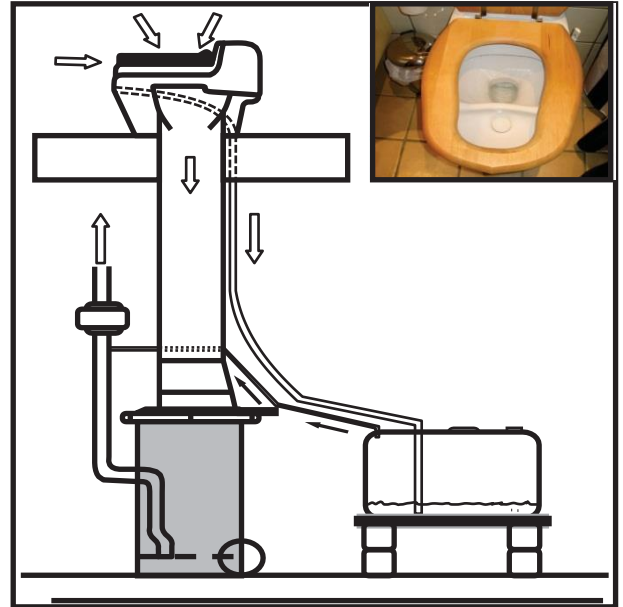


Fig 4: Diversion Toilet

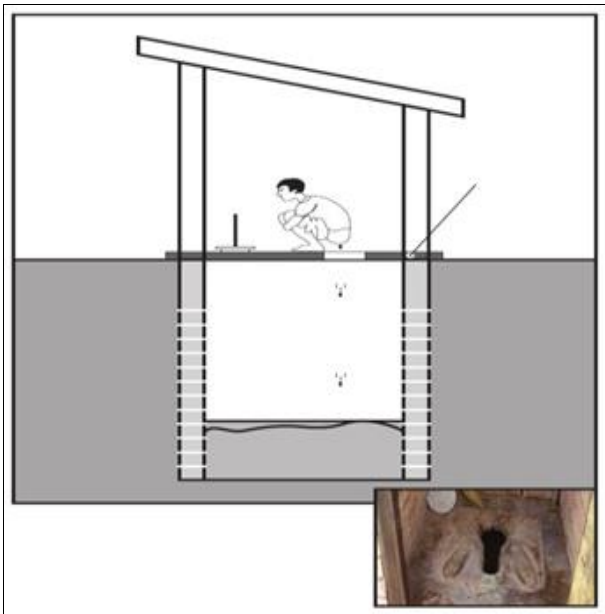


Fig 2: Simple Indian Toilet

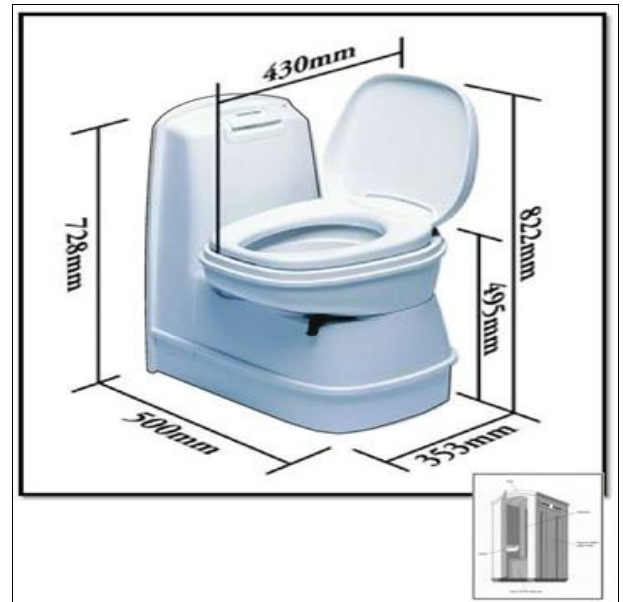


Fig 5: Flying Toilet



Fig 3: Dry Toilet

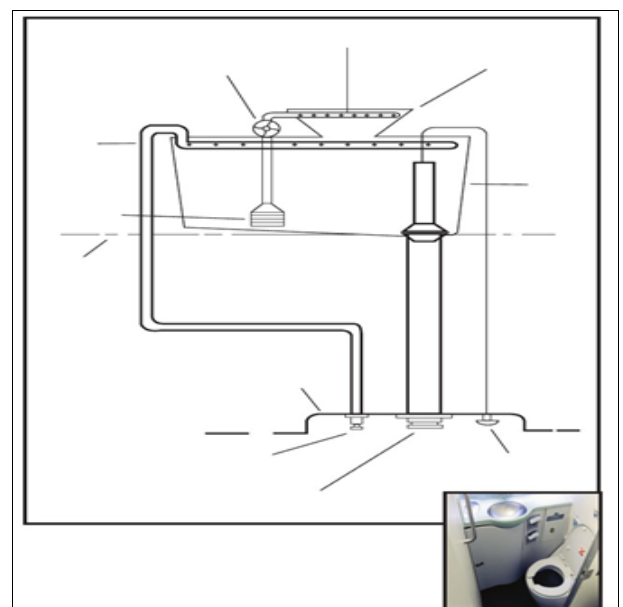


Fig 6: Chemical Toilet

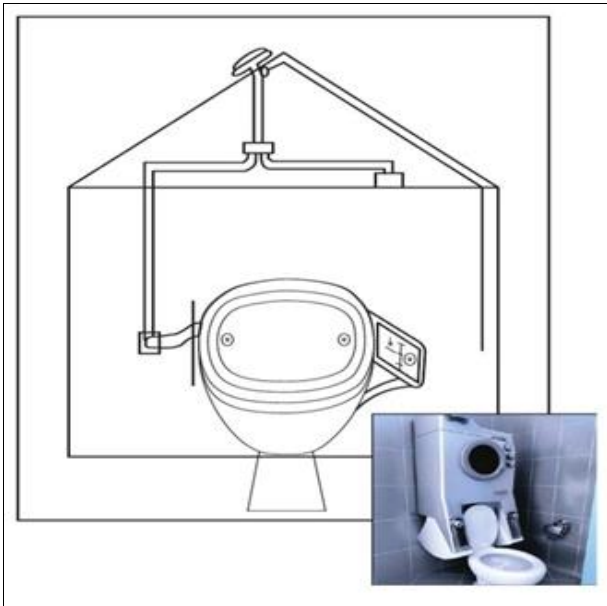


Fig 7: Public Toilet



Fig 10: Chamber Toilets

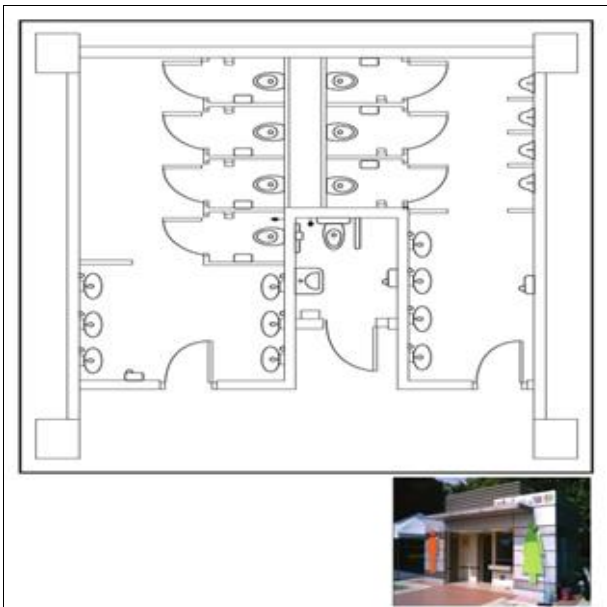


Fig 8: High Tech Toilet

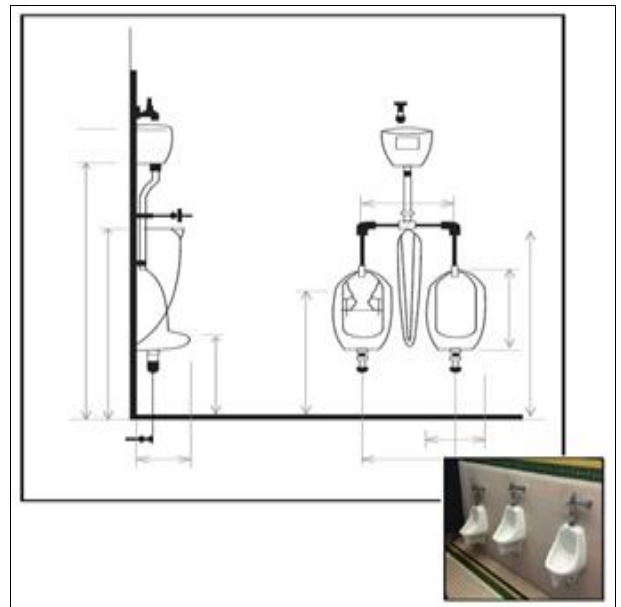


Fig 11: Urinals for boys

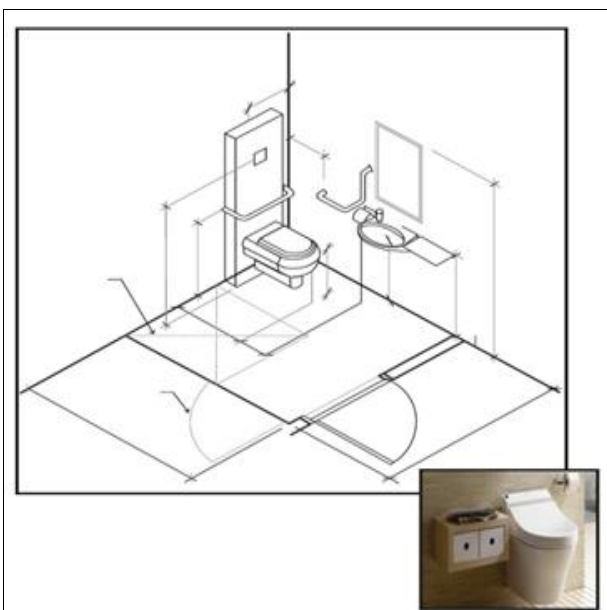


Fig 9: Floating Toilet

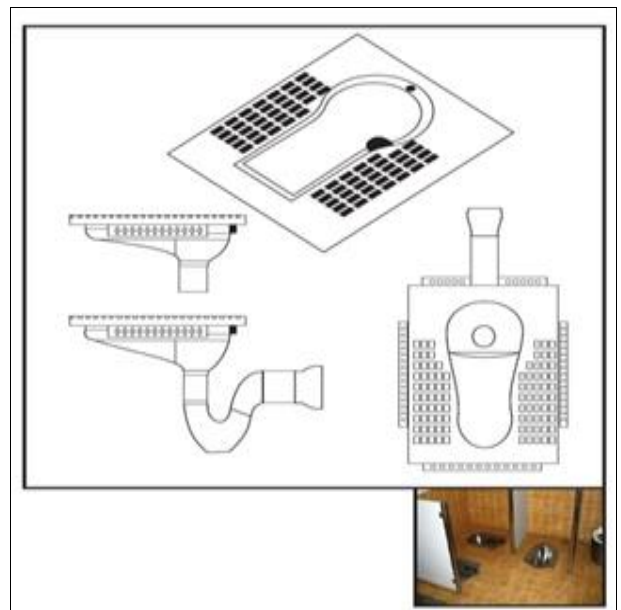


Fig 12: Squat Toilet for Girls

- The toilet flushes itself before and after every use, using a minimum amount of water, that is determined through sensors: On an average, each flush uses 1.5 litres of water, compared to the 8-10 litres used by a normal flush. Its floor is automatically washed after every tenth use. The lights turn on automatically and draw power from a built-in solar panel. Everything is monitored through GPRS telemetry: the frequency and volume of usage, and water and electricity consumption. Also, there are provisions for waste treatment using anaerobic biodegradation.
- Before using this toilet, they were using an open field and facing a problems especially for women.
- No need to buy two pans for a single toilet which is costly and confused the users which pan is currently in use.
- The process used to manufacture the pan is a process called fiber glass molding process in which fiber glass reinforced resin (tolling resin) plastics are formed into useful shapes.

Recommendations and Suggestion

- But in 2014, with the commencement of the BJP govt. coming into power, Mr. Narendra Modi our Hon'ble Prime Minister in his speech on 15th August, 2014 at Lal Kila referred to the Swachh Bharat Mission and gathered attention of the whole Nation towards this biggest mission. He stressed on construction of a toilet in every rural household in villages and also announced giving subsidies under various governmental schemes.
- To achieve this target, government and private sector, celebrities, politicians, actors, comed many sports persons etc. have come together with keen interest.
- Most people in India both men and rural women defecate in the open. To elite Indians used to seeing fellow citizens squatting by the side of the road, this sometimes seems like a fact of life in a developing country. If the government continues to send the message that toilets are for rural women, it reinforces destructive social norms that limit rural women's freedom and it misses. The opportunity to tell people that everyone should use a latrine. These are necessary for three types of toilets such as – community toilet, public toilet and home toilet.
- Cent per cent of the rural women had knowledge about government toilet scheme in the study area. At present the Swachh Bharat Mission is carried out as a mass movement and every effort is being made to make our rural India aware of the importance of good sanitation and use of toilets.

References

1. Reeves LM, Priest PC, Poore MR. School toilets: facilitating hand hygiene? A review of primary school hygiene facilities in a developed country. 2012; 34(4):483-488. <https://academic.oup.com>
2. Boisson Sophie, Peppin Sosai, Shubajyoti Ray. Promoting latrine construction and use in rural villages practicing open defecation: process evaluation in connection with a randomized controlled trial in Orissa, India, 2014. doi.10.1186/1756-0500-7-486. <https://www.ncbi.nlm.nih.gov>.
3. Kumar Deepak. Role of Swachh Bharat Mission in clean India initiative. 2015; 5(11). ISSN 2231-5985. <http://euroasiapub.org>
4. Jain Paras. Cleanliness sensitive society: after launching